



## DI4S06SX

Industrial Floor Waste Combo - Stainless Steel Square Grate 150 x 100 PVC/HDPE/ CU and Stainless Steel Strainer.

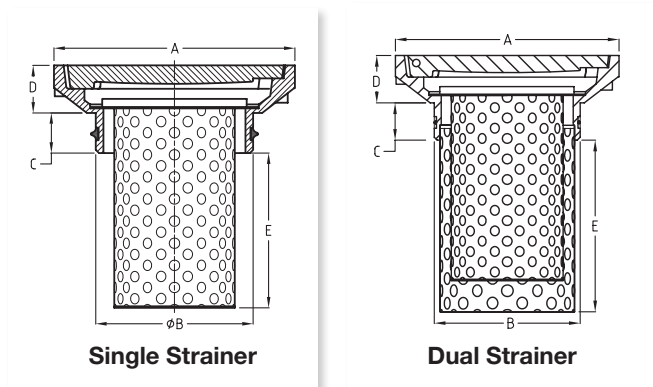
## DI4M06SX

Industrial Floor Trap Combo - Stainless Steel Square Grate 150 x 100 PVC/HDPE/CU and Stainless Steel Dual Strainer.

## DI4M08SX

Industrial Floor Waste Combo - Stainless Steel Square Grate 200 x 100 PVC/HDPE/ CU and Stainless Steel Dual Strainers.

## Typical Dimension



Single Strainer

Dual Strainer

## Specifications

### Single Strainer Basket

Cast stainless steel square industrial trap combination slip-in to PVC/HDPE or copper with stainless steel lock down Allen key screws and removable single stainless steel strainer basket, load rated to Class C.

### Dual Strainer Basket

Cast stainless steel square industrial trap combination slip-in to PVC/HDPE or copper with stainless steel lock down Allen key screws and removable primary 304 stainless steel strainer and fixed secondary stainless steel strainer, load rated to Class C.

## Product Selection Guide:

Code	Grate Style	Material	Top (A)	Outlet (B)	Depth (C)	Height (D)	(E)	Connection Type
<b>SINGLE STRAINER</b>								
DI4S06SX	Square	Stainless Steel	150	100	25	34	95	PVC/HDPE/Cu
<b>DUAL STRAINER</b>								
DI4M06SX	Square	Stainless Steel	150	100	25	34	114	PVC/HDPE/Cu
DI4M08SX	Square	Stainless Steel	200	100	25	34	114	PVC/HDPE/Cu

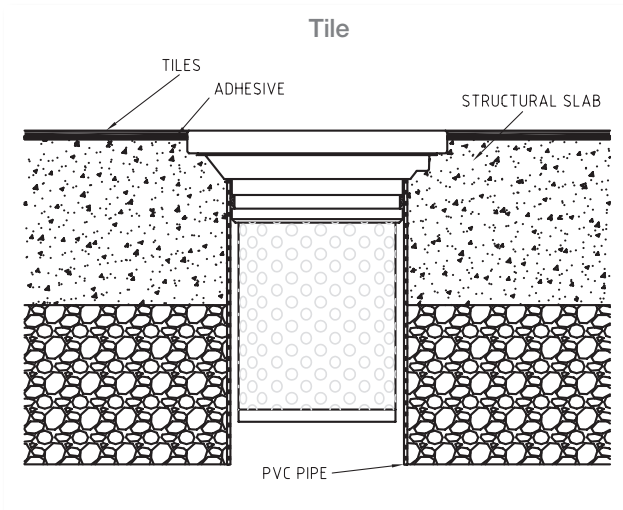
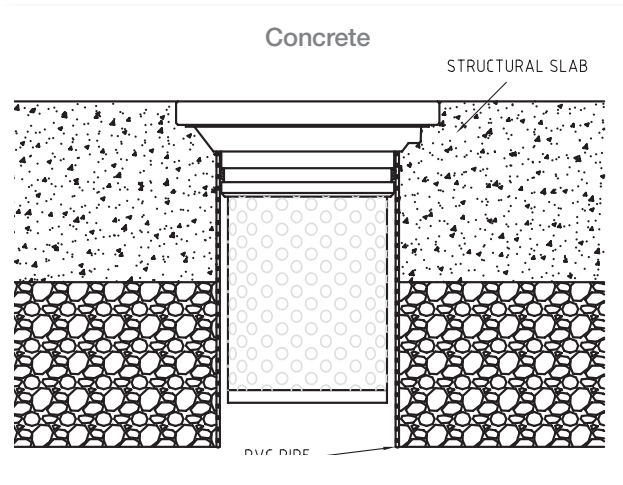
## Flow Rate Guide (litres/second):

Grate Size	Pressure head mm of water		
	20mm	30mm	40mm
150 x 150	3.1	3.7	4.1
200 x 200	3.9	6.4	7.4



A family owned Australian business

## Typical Installation



## Maintenance & Cleaning

Red Emperor products should be cleaned with a soft damp cloth using only mild liquid detergent or soap and water. Do not use cleaning agents containing a corrosive acid, scouring agent or solvents. Do not use cream cleaners, as they are abrasive. Use of unsuitable cleaning agents may damage the surface. Any damage caused in this way will not be covered by warranty.

Regular maintenance should be carried out in accordance with installation and troubleshooting guides provided with the product, the relevant Australian Standards, local authorities and state codes.

Tea staining is an installation and maintenance issue. To reduce the risk of tea staining, products should be regularly cleaned. In certain environments corrosion reducers/inhibitors may need to be regularly applied, and consideration should be given to the use of electropolishing or other surface coatings.

Note: It is recommended higher grades of stainless steel be specified for corrosive or coastal areas.

## Warranty

Red Emperor products are covered under our Manufacturer's Warranty at [www.galvinengineering.com.au](http://www.galvinengineering.com.au). Red Emperor products must be installed in accordance with the installation instructions and in accordance with AS3500, PCA, relevant Australian Standards and local authorities applicable to product being installed. Water and electrical supply conditions must also comply to the applicable national and/or state standards, failing to comply with these provisions may void the product warranty and affect performance of the product.

Whilst all reasonable care has been taken in compiling the information in this document, the designs, dimensions and products shown are indicative only and should not be relied upon without our prior approval. Due to our policy of continuous development, we reserve the right to alter any details of specifications or products without notice. All information, drawings, technical specifications and product designs remains the property of Galvin Engineering Pty Ltd.

Within Australia: **1300 514 074** Outside Australia: P: +61 (0)8 9338 2344  
 F: +61 (0)8 9338 2340  
[sales@galvinengineering.com.au](mailto:sales@galvinengineering.com.au)  
[www.galvinengineering.com.au](http://www.galvinengineering.com.au)

ABN: 78 008 719 382

PERTH | SYDNEY | MELBOURNE | BRISBANE | ADELAIDE

**GalvinEngineering**   
 the mark of reliability